

EDB470_E
00482964

Lenze

Antriebstechnik

Operating Instructions

***Speed controllers
470 series***



These operating instructions are valid for controllers with the nameplate designation

471	E	3A
472	E	3A
473	E	3A

Controller type

Chassis type

Hardware version + index

Edition of: 05/1996

revised: 02/2004

How to use this manual ...

To locate information on specific topics, simply refer to the table of contents at the beginning and to the index at the end of this manual.

The manual uses a series of different symbols to provide quick reference and to highlight important items.

This symbol refers to items of information intended to facilitate operation.

Notes which should be observed to avoid possible damage to or destruction of equipment.

Notes which should be observed to avoid health risks to the operating personnel.





Safety and application notes for drive controllers

(according to: Low Voltage Directive 73/23/EWG)

1. General

During operation, drive controllers may have, according to their type of protection, live, bare, in some cases also movable or rotating parts as well as hot surfaces.

For non-authorized removal of the required cover, for inappropriate use, for incorrect installation or operation, there is the risk of severe personal injury or damage to material assets.

Further information can be obtained from the documentation.

All operations concerning transport, installation, and commissioning as well as maintenance must be carried out **by qualified, skilled personnel** (IEC 364 and CENELEC HD 384 or DIN VDE 0100 and IEC report 664 or DIN VDE 0110 and national regulations for the prevention of accidents must be observed).

Qualified skilled personnel according to these basic safety information are persons who are familiar with the erection, assembly, commissioning, and operation of the product and who have the qualifications necessary for their occupation.

2. Application as directed

Drive controllers are components which are designed for installation into electrical systems or machinery.

When installing into machines, commissioning of the drive controllers (i.e. the starting of operation as directed) is prohibited until it is proven that the machine corresponds to the regulations of the EC Directive 89/392/EWG (Machinery Directive); EN 60204 must be observed.

Commissioning (i.e. starting of operation as directed) is only allowed when there is compliance with the EMC Directive (89/336/EWG).

The drive controllers meet the requirements of the Low Voltage Directive 73/23/EWG. The harmonized standards of the prEN 50178/ DIN VDE 0160 series together with EN 60439-1/DIN VDE 0660 part 500 and EN 60146/DIN VDE 0558 are applicable to drive controllers.

The technical data and information about the connection conditions must be obtained from the nameplate and must be observed in all cases.

3. Transport, storage

Notes on transport, storage and appropriate handling must be observed.

Climatic conditions must be observed according to prEN 50178.

4. Erection

The devices must be erected and cooled according to the regulations of the corresponding documentation.

The drive controllers must be protected from inappropriate loads. Particularly during transport and handling, components must not be bent and/or insulation distances must not be modified. Touching of electronic components and contacts must be avoided.

Drive controllers contain electrostatically sensitive components which can easily be damaged by inappropriate handling. Electrical components must not be damaged or destroyed mechanically (health risks are possible!).

5. Electrical connection

When working on live drive controllers the valid national regulations for the prevention of accidents (e.g. VBG 4) must be observed.

The electrical installation must be carried out according to the appropriate regulations (e.g. cable cross-sections, fuses, PE connection). More detailed information is included in the documentation.

Notes concerning the installation in compliance with EMC - like screening, grounding, arrangement of filters and laying of cables - are included in the documentation of the drive controllers. These notes must also be observed in all cases for drive controllers with the CE mark. The compliance with the required limit values demanded by the EMC legislation is the responsibility of the manufacturer of the system or machine.

6. Operation

Systems where drive controllers are installed must be equipped, if necessary, with additional monitoring and protective devices according to the valid safety regulations, e.g. law on technical tools, regulations for the prevention of accidents, etc. Modifications of the drive controllers and the operating software are prohibited.

After disconnecting the drive controllers from the supply voltage, live parts of the controller and power connections must not be touched immediately because of possibly charged capacitors. For this, observe the corresponding labels on the drive controllers.

During operation, all covers and doors must be closed.

7. Maintenance and servicing

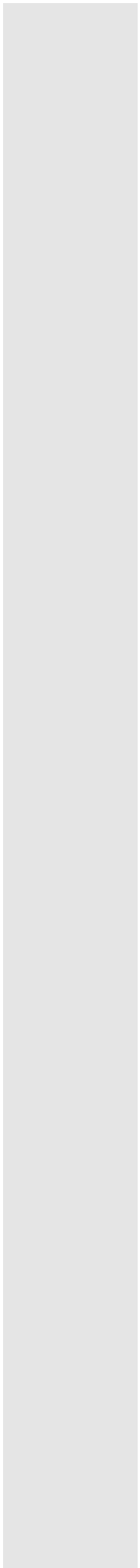
The manufacturer's documentation must be observed.

This safety information must be preserved!

The product-specific safety and application notes in these operating instructions must also be observed!

Contents

1	Features of the 470 series of controllers	5
2	Technical data	6
2.1	Controller-specific data	6
2.2	Controller dimensions	7
2.3	Scope of supply	7
2.4	Application as directed	8
3	Accessories	9
4	Installation	12
4.1	Installation	12
4.2	Connection	12
4.2.1	Installation corresponding to EMC	14
4.2.2	CE-typical drive system	15
4.3	Connection diagram	18
4.4	Connection of type 472 for mains connection 190 ... 265 V	20
4.5	Special field voltages for the types 472 and 473	20
4.5.1	Field voltage > 0.9 x VL1, N	20
4.5.2	Field connection without neutral conductor	21
4.6	Additional terminals	22
4.7	Replacing the fuses	22
5	Commissioning	23
5.1	Setting the current limit	23
5.2	Armature voltage control with "I x R compensation"	23
5.3	Speed control with tacho feedback	24
6	Switching operation	25
6.1	Controller enable	25
6.2	Controller inhibit	25
6.3	Electrodynamic braking	26
6.4.	Reversing	28
Index		29



1 Features of the 470 series of controllers

The 470 series of controllers comprises three single quadrant controllers with output powers from 1.3 kW to 7 kW. The most important features include:

- Compact controllers with isolated heatsink
- Operation with tacho or armature voltage feedback with "I x R compensation"
- Isolation of control electronics and power stage when tacho feedback is used
- Self-synchronization of the phase shifter for 50 ... 60-Hz mains
- High interference margin due to integrated synchronizing filter
- Burst-gate thyristor control in the power stage
- Reliable operation also for mains voltage fluctuations and short-term mains failures due to static and dynamic voltage monitoring
- Display of the operating states using LEDs
- Free connections for set-value delay, actual value differential component, speed reset time
- Option board can be retrofitted:
 - Set-value integrator 2003
 - Winding calculator 1071
- Compliance with the CE directives for the erection of a CE conform drive system

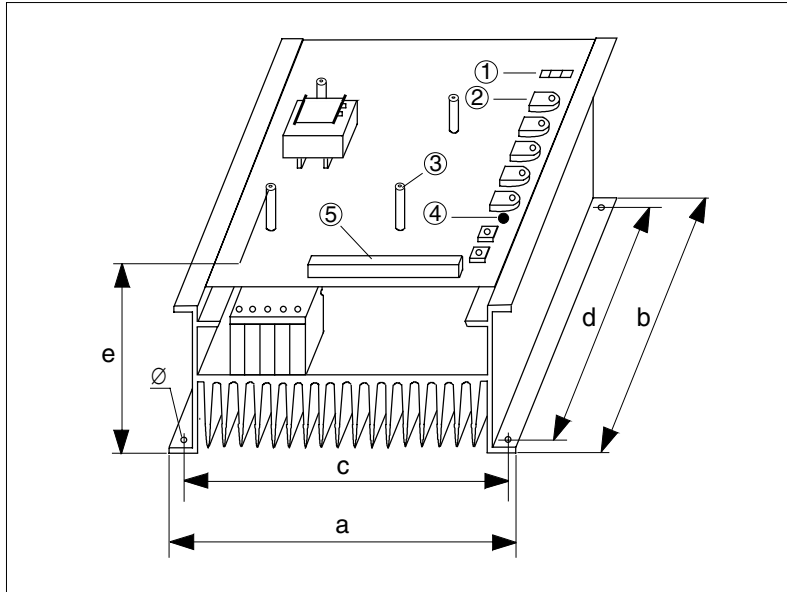
2 Technical data

2.1 Controller-specific data

Type		471	472	473
Output power	P_{ei} [kW]	1.3	2.5 4	7
Mains frequency	f [Hz]	50...60		
Mains voltage	$U_{L1, L2}$ $U_{L1, N}$ [V]	190...265 190...265	340...460 190...265	
Armature voltage	V_A [V]	160	260	
Armature current	I_A [A]	8	16	27
Field voltage	V_F [V]	$0.9 \times V_{L1, N}$		
Max. field current	I_F [A]	0.8	2	2.5
Perm. form factor	F_{Fmax}			
- without choke		1.4		
- with choke		1.2	1.2	1.2
Current limitation	I_{max} [A]	0...8	0...16	0...27
Rated master voltage	V_{LN} [V]	10...180		
Rated tacho voltage	V_{TN} [V]	10...180		
Min. speed	n_{min} [r/min]	0...0.25		
Operating ambient temperature	T_a [°C]	0...45		
Set-value potentiometer	R	10k Ω / 1W _{lin.} ER00322194		
Type				
Power stage fuse		FF16A/600V 10 x 38 EFSFF0160AYE	FF25A/600V 14 x 51 EFSFF0250AYH	External fuse (see accessories)
Type				
Electronics fuse		not necessary	FF4A/500V 6.3 x 32 EFSFF0040AWB	FF8A/500V 6.3 x 32 EFSFF0080AWB
Type				
Weight approx.	m [kg]	1.2	2.1	2.8
Chassis type E		33.471_E	33.472_E	33.473_E

2.2 Controller dimensions

Controllers of the 470 series without protective cover:



Explanations

①	LEDs	$\pm V_{CC}$, RSP, I_{max}
②	Trimmers	I_{max} , $I \cdot R$, V_p , n_{min} , $U_{Leit\ fein}$, $U_{Leit\ grob}$, n_{max}
③	Spacers for the attachment of the protective cover and the option board	
④	Measuring point "M1"	
⑤	Connecting terminals	

Type	a [mm]	b [mm]	c [mm]	d [mm]	e [mm] ¹⁾	Ø [mm]
471	150	220	135	210	75	4.8
472	150	220	140	210	135	4.8
473	240	160	224	140	145	7.0

¹⁾ The dimension (e) is the installation height of the base controller including protective cover.

2.3 Scope of supply

The scope of supply includes:

- the controller 47x_E
- set-value potentiometer 10 kΩ
- the operating instructions

2.4 Application as directed

- The controllers of the types 47x are electrical equipment for the installation into control cabinets of electrical systems or machinery.
- The controllers of the types 47x are designed as components for the control of speed-variable drives with separately-excited DC motors or for the assembly with other components to form a machine or system.
- Drive systems with drive controllers 471 and 472 which are installed according to the definition of a CE-typical drive system (see chapter 4.2.2), correspond to the EC EMC Directive and the standards mentioned below.
- CE-typical drive systems are
 - suitable for the operation on public and non-public mains and
 - provided for industrial applications.
- Because the ground potential reference of the RFI filters, the CE-typical drive system which is described is not suitable for the connection to IT mains (mains without ground potential reference).
- The drive controllers are not domestic appliances, but are designed for drive systems for commercial use.
- The controllers of the types 47x themselves are not machines according to the EC Machinery Directive. The final function is only determined when integrated into the machine construction of the user.
- The user must consider measures in his machine construction which limit the consequences in case of malfunction or failure of the drive controller (increase of the motor speed or sudden motor stop) so that hazards for persons or material assets cannot be caused, such as:
 - further independent equipment for the monitoring of safety-relevant variables (speed, travel, end positions, etc.)
 - electrical or non-electrical protective equipment (latching or mechanical blocking)
 - measures covering the complete system

3 Accessories

The following components can be ordered separately:

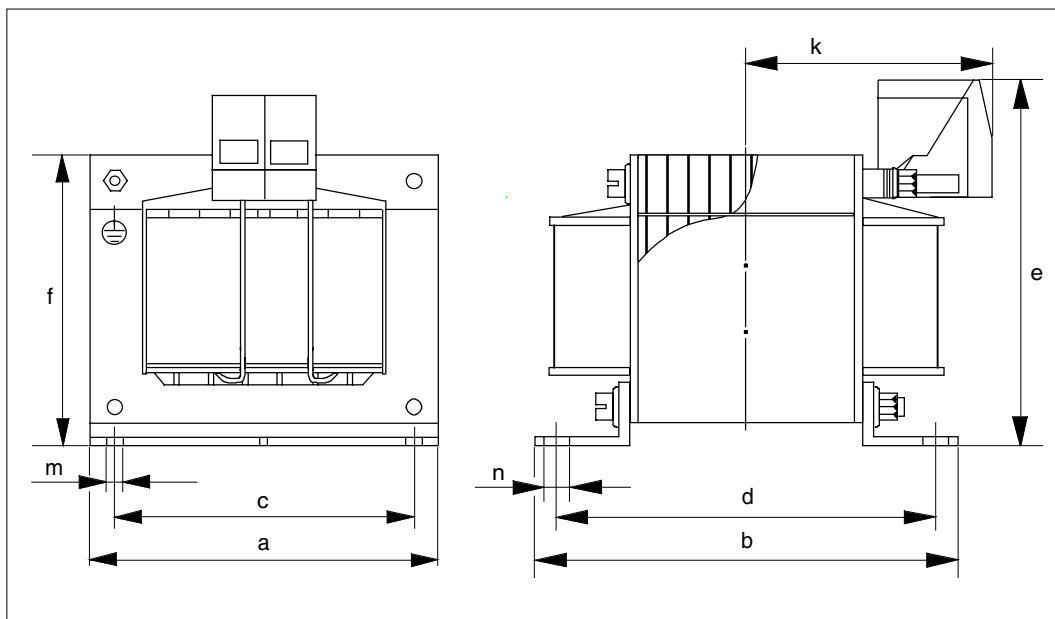
- RFI filter
- Mains choke
- Armature choke
- Zinc oxyde varistor
- Mains fuses and fuse holders for the types 473
- Knob and scale for set-value potentiometer
- Option board 2003 and 1071

Typet	471	472	473
RFI filter type	EZF1_009A001	EZF3_016A002	EZF3_036A001
Mains choke L _K	2.5 mH/18 A	0.98 mH/35 A	0.98 mH/35 A
Type	ELN1_025H018	ELN1_009H035	ELN1_009H035
Number of mains chokes per controller	1x ¹⁾		2x ²⁾
Zinc oxyde varistor R _U	B32 K275 ¹⁾		e.g. B32 K460 ²⁾
Part no.	308 935		(Siemens)
Power stage fuse	Internal fuse (see chapter 2.1 "Controller-specific data")		FF40A/600V 22 x 58
Type			EFSFF0400AY1
Fuse holder type	not necessary		EF00357279

¹⁾ Connection to mains voltage of 190...265 V

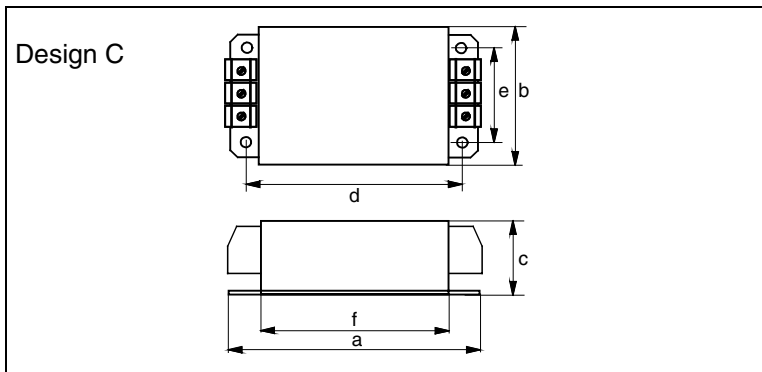
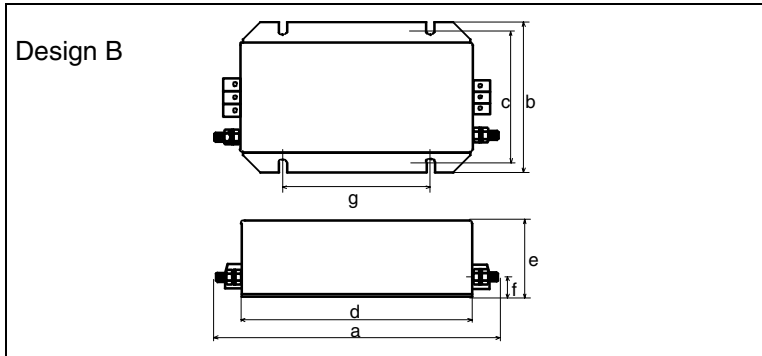
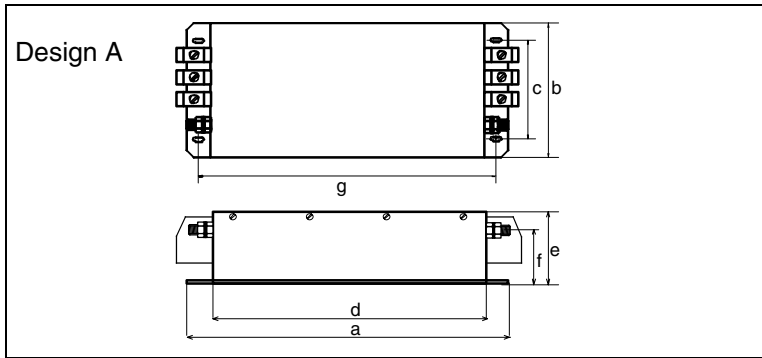
²⁾ Connection to mains voltage of 340...460 V

Mains choke



Type	471	472/473
Mains choke type	ELN1_025H018	ELN1_009H035
L [mH]	2.5	0.98
I [A]	18	35
a [mm]	96	96
b [mm]	77	88
c [mm]	84	84
d [mm]	61	70
e [mm]	96	112
f [mm]	87	87
k [mm]	52	64
m [mm]	5.5	5.5
n [mm]	9	9
Weight [kg]	2.4	2.9

RFI filter



Type	471		472		473
	EZF1_009A001	EZF1_018A001 ¹⁾	EZF3_016A001	EZF3_036A001	EZF3_036A001
Rated current [A]	9	18	16	36	36
Voltage V_{max}	250 V $\pm 0\%$	250 V $\pm 0\%$	440 V $\pm 0\%$	440 V $\pm 0\%$	440 V $\pm 0\%$
Design	A	C	B	B	B
a [mm]	120	123	220	250	250
b [mm]	55	85	115	150	150
c [mm]	45	39	100	135	135
d [mm]	95	108	180	200	200
e [mm]	50	50,8	60	65	65
f [mm]	13	100	17	17	17
g [mm]	110	-	115	115	115
Fixing	4 x M3	4 x M4	4 x M6	4 x M6	4 x M6
Weight [kg]	0.6	0.7	1.9	3.0	3.0

4 Installation

4.1 Installation

When installing into an enclosure ensure sufficient ventilation. The ambient temperature must not exceed +45 °C. Install the controller with the terminals at the bottom.

External operating elements (e.g. switch, fuses) must not be arranged close (≤ 250 mm) to the controller 470. If this distance is not observed, a suitable cover must be provided in order to avoid accidental contact with the controller board.

4.2 Connection

- The controllers contain electrostatically sensitive components. Prior to assembly and servicing the personnel must be free of electrostatic charges. Discharging is possible by touching the PE fixing screw or another grounded metal part in the control cabinet.
- If you use residual current devices:
 - The controllers have an internal mains rectifier. After a short-circuit to frame a DC fault current may prevent the tripping of the residual current device. Therefore, take additional measures like zeroing or use universal current e.l.c.b.
 - Observe for the dimensioning of the release current of e.l.c.b. that capacitive compensating currents of the cable screens and RFI filters occurring during normal operation may cause false tripping.
 - Note for the use of universal e.l.c.b.:
The preliminary standard prEN50178 (in the past VDE0160) about the use of universal e.l.c.b. has been decided by the German committee K226.
The final decision about the use in compliance with the standard is made by the CENELEC/CS (European Committee for Electrotechnical Standardization) in Brussels. Further information on the use of universal current e.l.c.b. can be obtained from the supplier.

All cables from and to the controller must be screened. Connect the screening at both ends, close to the cable ends, to the central PE connection. When using the supplied set-value potentiometer, the mechanical screw fixing must have an additional PE connection and the connections must be insulated and covered.

Caution!

In the operating mode "armature voltage control with I x R compensation" all control terminals carry mains potential. It is therefore necessary that all input and output signals required for the control of the controller are, electrically, safely separated by measures outside the controller and have another protection against direct contact (double basic insulation).



For operation with tacho voltage feedback the control electronics has a simple basic insulation. Take measures outside the controller to ensure that input and output signals of the control have a double basic insulation.

The protective cover above the controller board reduces the hazard of accidental touching of live components. For the assembly and during commissioning the cover must be removed.

Caution!

Removal of the protective cover and all settings must only be carried out by qualified skilled personnel.

With removed cover, there is increased danger of accidental contact with bare, live components on the controller board.

The protective cover must only be attached and removed when no voltage is applied. The cover must be replaced after setting.



Notes for the connection of controller and motor

Lenze controller		Motor (lt. DIN 42017 / VDE 0530 Teil 8)		
Function	Termina l	Termina l	other designations	Motor type
Armature voltage	+ A	1B1	A1	DC motor uncompensated with commutating pole winding
-	B	2B2	B2, A2	
Excitation voltage	+ l	F1	E1	
-	K	F2	E2	
Armature voltage	+ A	1C1	A1	DC motor compensated with commutating pole winding
-	B	2C2	C2	
Excitation voltage	+ l	F1	E1	
-	K	F2	E2	
Armature voltage	+ A	A1		Permanent magnet motor
-	B	A2		
DC tacho	+ 3	2A1		
-	4	2A2		
AC tacho with rectification	+ 3	3A1		
-	4	3A2		

4.2.1 Installation corresponding to EMC

- Controllers cannot be operated on their own. The EMC of controllers on their own cannot be tested. Only the integration of the controllers into a drive system allows a test whether the objectives of the EC EMC Directive are met and whether the device are in compliance with the law about the electromagnetic compatibility of equipment.
- Lenze has done conformity tests with the controllers of the types 471 and 472 in certain, defined drive systems. These tested drive systems are called "**CE-typical drive system**" in the following.
- Therefore, the user of the controller has the choice,
 - either to determine the system components and their integration into a drive system himself and to determine the conformity under his own responsibility
 - or to install the drive system according to the CE-typical drive system as tested by the manufacturer of the controller and declared to be in compliance.
- If you observe the following measures you can assume that EMC problems caused by the drive system will not arise during the operation of the machine and the EMC Directive and the EMC law are satisfied.
- For any other installation, e.g.
 - use of unshielded cables,
 - use of collective RFI filters instead of the allocated RFI filters,
 - omission of mains chokes

the machine or system must be tested whether it is compliance with the EC EMC Directive and the EMC limit values are considered.

- **The compliance with the EMC Directive in the machine application is the responsibility of the user.**

4.2.2 CE-typical drive system

Components of a CE-typical drive system

System component	Specification
Controller	Controller of the types 471 and 472
RFI filter	Data and allocation see chapter 3 "Accessories"
Mains choke	Data and allocation see chapter 3 "Accessories"
Armature and field cable	Screened power cable with tinned E-CU braid with 85 % optical coverage. Tested maximum length: 50 m
Mains cable between RFI filter and mains choke and between mains choke and controller	As from cable length of 200 mm: screened power cable with tinned E-CU braid with 85 % optical coverage..
Control cables	Screened signal cable type LIYCY
Motor	DC motor with separate excitation Lenze series GFQ, GFR or similar

Note:

Controller, RFI filter, and mains choke are located on one mounting plate.

Installation of the CE typical drive system

The electromagnetic compatibility of a drive system depends on the type and accuracy of the installation.

Take special care with

- filters
- screening
- grounding

Filters

- Only use the RFI filters and mains chokes allocated to the controllers
 - RFI filters reduce non-permissible high-frequency interferences to a permissible value.
 - Mains chokes reduce low-frequency interferences which depends primarily on the motor cables and their length.

For motor cables which are longer than 50 m additional measures are required.

Screening

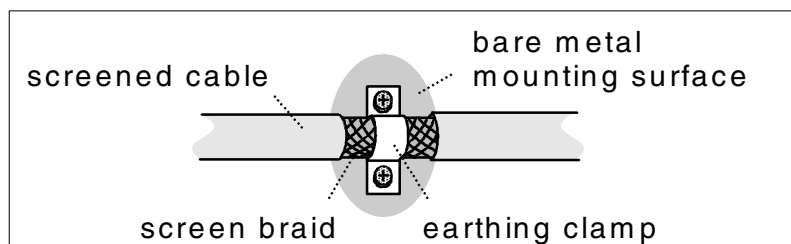
- Screen all cables from and to the controller.
- Make sure that motor cables are separated from signal and mains cables when laying the cables.
- Avoid a common terminal board for mains input and motor output.
- The cables must be laid as close as possible to the reference potential. Dangling cables are like antennas.

Grounding

- Ground all conductive metal components (controllers, RFI filters, mains chokes) by suitable cables from a central grounding point (PE bar).
- Observe the minimum cross-sections prescribed in the safety information. However, for EMC the surface of the contact is important and not the cross-section.

Assembly

- Make the contact from controller, RFI filter, and mains chokes to the grounded mounting plate with as large a surface as possible. Zinc-coated mounting plates allow long-lasting contacts. For painted plates the paint of the mounting plates must be removed in all cases.
- If you use several mounting plates:
 - Make a conductive connection of the mounting plates with as large a surface as possible (e.g. using copper bands).
- Connect the screen of the armature and field cable to the mounting plate with as large a surface as possible:
 - Recommendation: Make the large-surface connection of the screens to the mounting plate with earthing clamps on bare metal mounting surfaces.

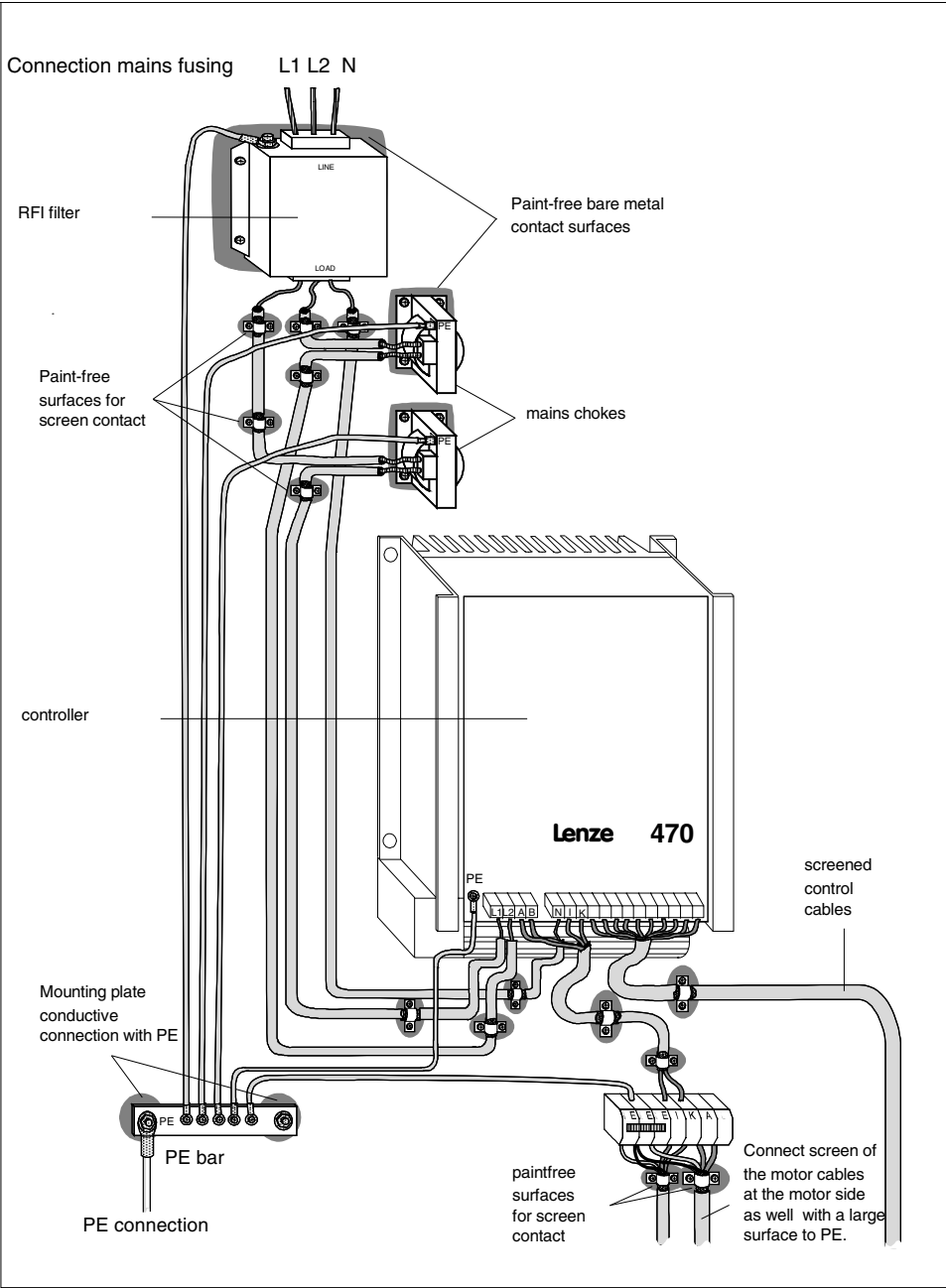


- If there are contactors, motor protection switches, or terminals in the armature cable:
 - Contact of the screens of the connected cables to each other and to the mounting plate with as large a surface as possible.
- In the terminal box, connect the screen of the motor to PE:
 - Metal cable glands at the motor terminal box ensure a large-surface connection of the screen to the motor housing.
- If the total length of the mains cable between RFI filter and mains chokes and controller exceeds 200 mm:
 - Screen mains cables
 - Connect the screen of the mains cables to the mounting plate with as large a surface as possible.
- Connect the screen of the control cables to the mounting plate with as large a surface as possible.
- If you use drive systems with the types 47x in residential areas:
 - Check the compliance with radio interference voltage level (EN55022 class B) at the supply location of the operating area.
 - Check the permissible radio interference emission (EN55022 class B) at the supply location of the operating area.

Please note:

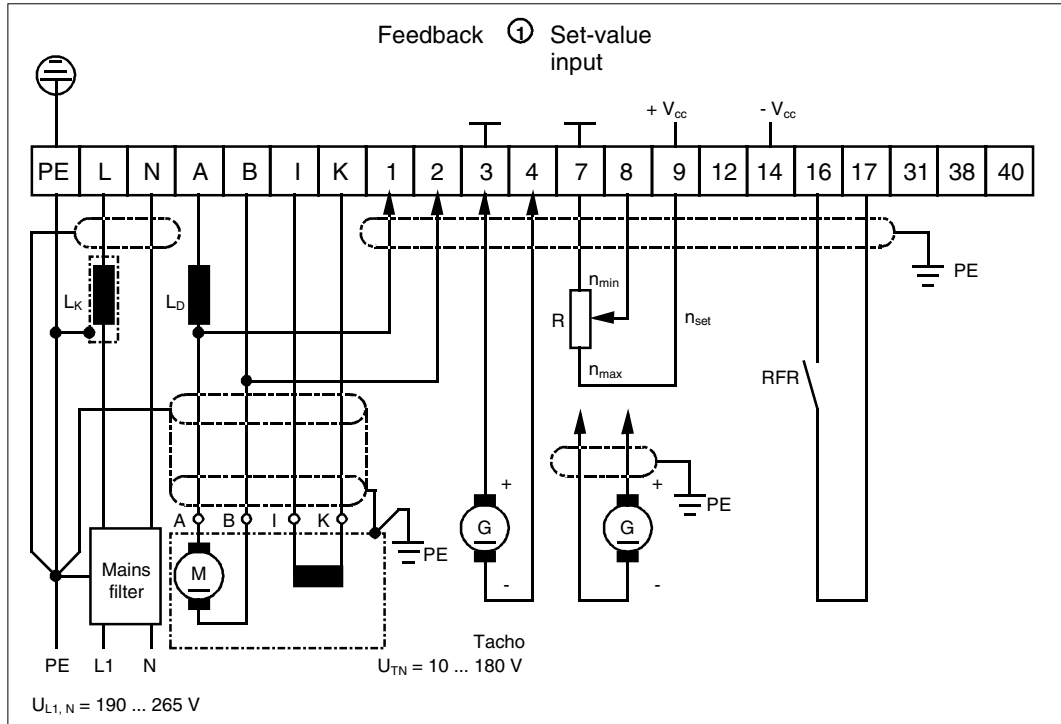
If devices which do not comply with the CE requirement concerning the noise immunity EN 500882-2 are operated close to the controllers, an electromagnetic disturbance of these devices by the controllers is possible.

Part of the CE-typical drive system which is located on the mounting plate



4.3 Connection diagram

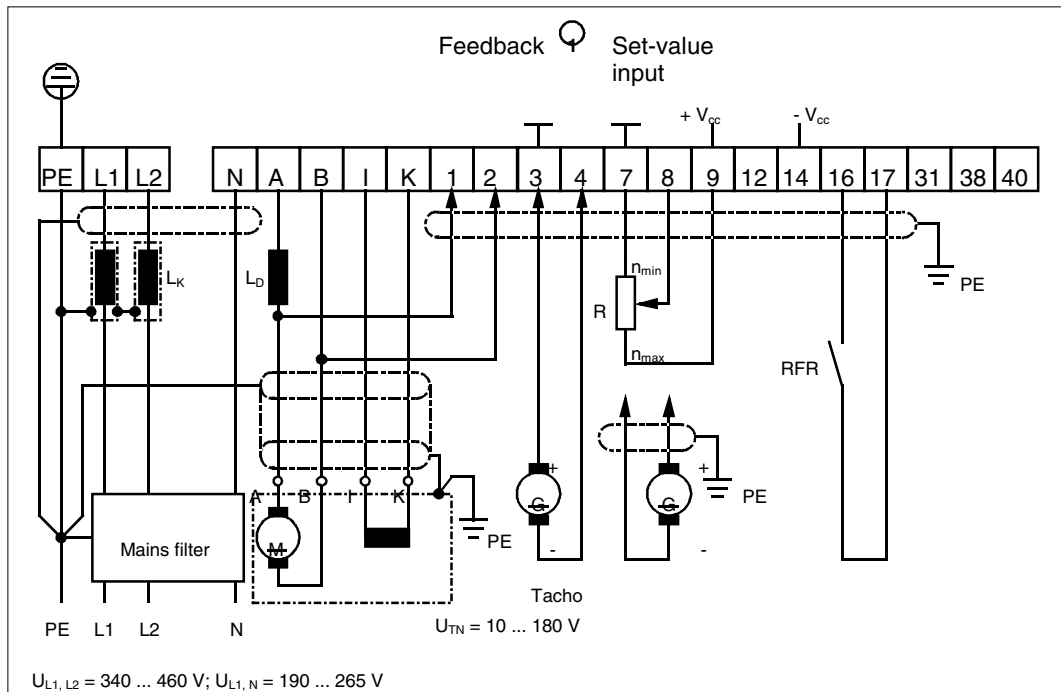
- Type 471



Explanations

- | | |
|---|---|
| ① | Only the feedback system used can be connected at terminals 1/2 or 3/4. |
|---|---|

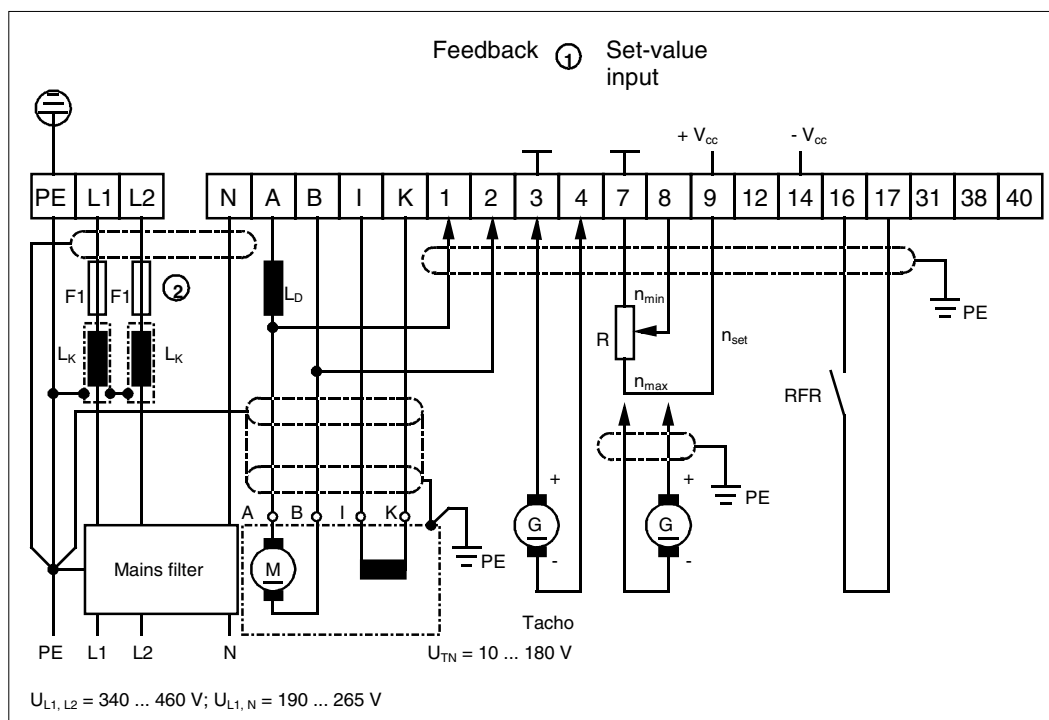
- Type 472



Explanations

- | | |
|---|---|
| ① | Only the feedback system used can be connected at terminals 1/2 or 3/4. |
|---|---|

• Type 473



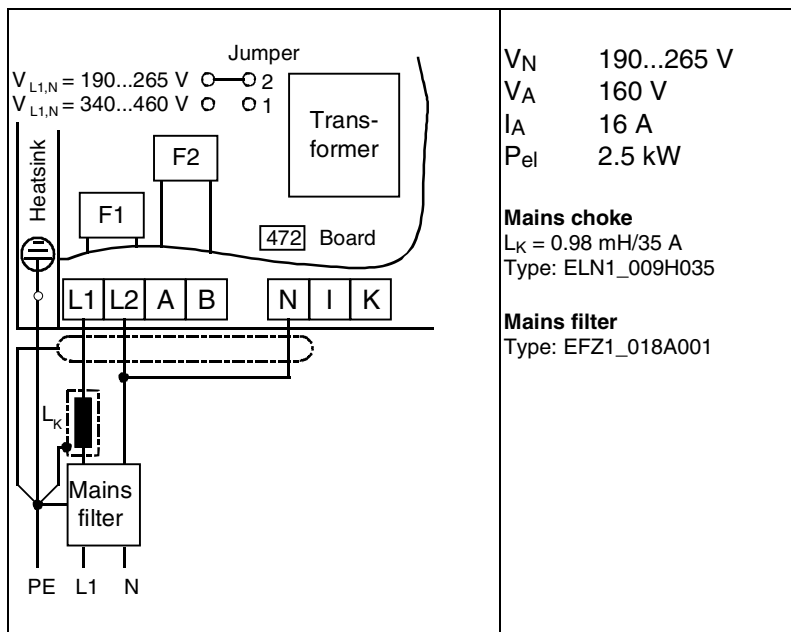
Explanations

①	Only the feedback system used can be connected at terminals 1/2 or 3/4.
②	For mains fuses see chapter 3 "Accessories"

Notes

1. If the signals must be changed over via relays, use suitable relay contacts (e.g. gold-plated contacts).
2. When switch RFR is closed the controller is enabled.

4.4 Connection of type 472 for mains connection 190 ... 265 V



Note

The controller 472 is factory-set for the operation at mains voltages from 340...460 V. For the operation at 190...265 V

- remove the standard jumper 1 and
- solder the jumper 2 on the soldering points.

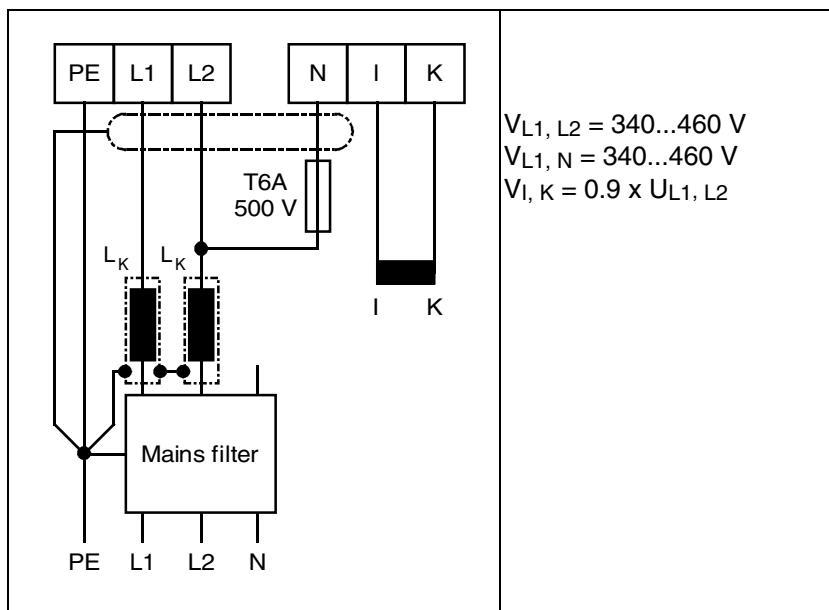
Caution!

This modification must only be carried out by skilled qualified personnel when no voltage is applied. After exchanging the jumper, the protective cover must be reassembled.



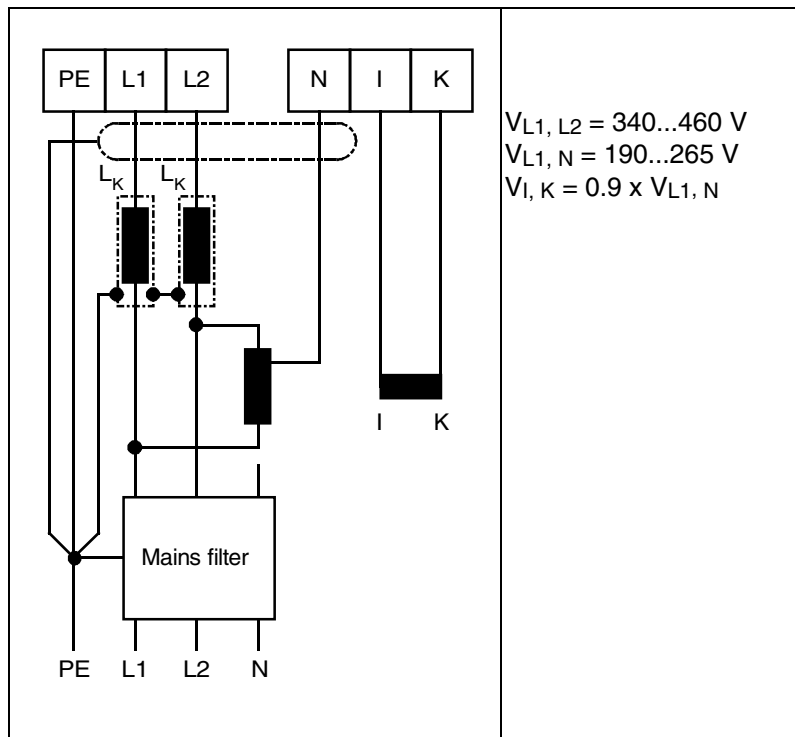
4.5 Special field voltages for the types 472 and 473

4.5.1 Field voltage $> 0.9 \times V_{L1,N}$

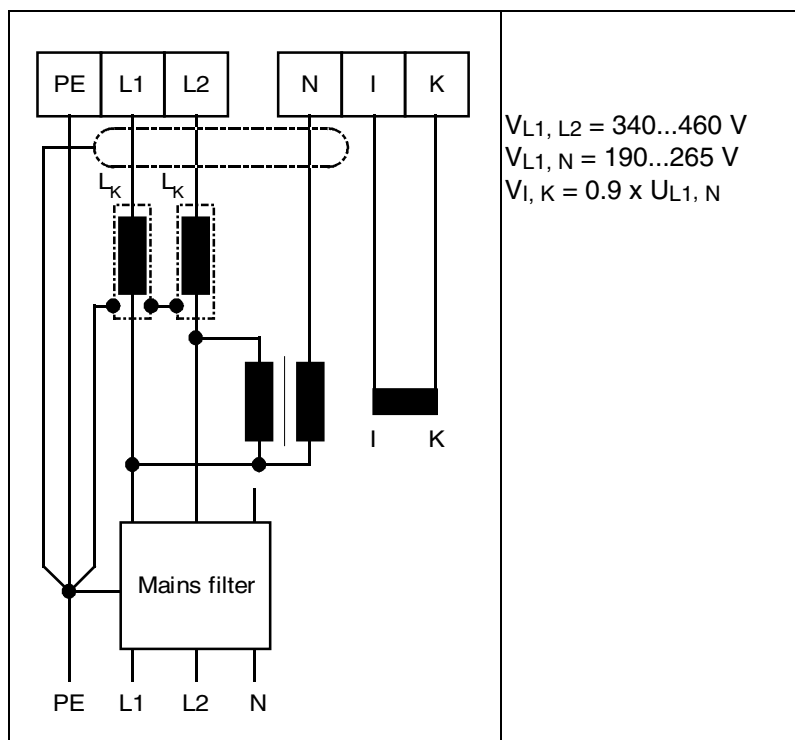


4.5.2 Field connection without neutral conductor

- Field connection via autotransformer



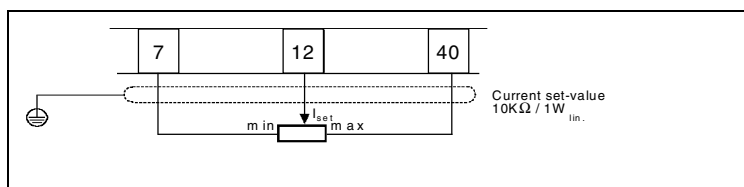
- Field connection via transformer



4.6 Additional terminals

Terminal designation	Meaning								
12	Input current controller; $R_i \approx 10 \text{ k}\Omega$, $U_{\text{iset}} = 0 \dots -10 \text{ V} = (-10 \text{ V} \triangleq I_{\text{Amax}})$								
14	$-V_{\text{CC}} = -15 \text{ V}$ = stabilized. $-V_{\text{CC}}$ can be loaded externally with 15 mA.								
31	Output actual armature current. The output terminal 31 supplies an output voltage proportional to the armature current. $U_{31} \approx 10 \text{ V}$ corresponds to the rated controller current. This output can be loaded with a maximum of 3 mA. The output resistance is $R_i = 1 \text{ k}\Omega$.								
38	Freely assignable speed controller input Terminal 38 leads to the summation point of the speed controller via $R_i \approx 50 \text{ k}\Omega$. The permissible input voltage range is between -10 V and $+10 \text{ V}$.								
40	Output speed controller; $R_i \approx 200 \Omega$. Terminals 40 and 12 are connected internally via a 2.2-k Ω resistor (on soldering posts). <table style="margin-left: auto; margin-right: auto;"> <thead> <tr> <th>Type</th> <th>Designation of the 2.2-kΩ resistor</th> </tr> </thead> <tbody> <tr> <td>471</td> <td>R818</td> </tr> <tr> <td>472</td> <td>R207</td> </tr> <tr> <td>473</td> <td>R406</td> </tr> </tbody> </table> <p>Caution! If an external set-value potentiometer is connected, this resistor must be removed.</p>	Type	Designation of the 2.2-k Ω resistor	471	R818	472	R207	473	R406
Type	Designation of the 2.2-k Ω resistor								
471	R818								
472	R207								
473	R406								

Connection of a potentiometer to limit the set-value current:



4.7 Replacing the fuses

The fuses protect the controller from non-permissible operating conditions. After the release of such a protective function, the controller and the system must be checked for further faults before replacing the fuses.

Remove the protective cover to replace the fuses.

Caution!

Removal of the protective cover and the replacement of the fuses must only be carried out by qualified skilled personnel when no voltage is applied.

Defective fuses must only be replaced by the prescribed type (see chapter 2.1 "Controller-specific data").

The protective cover must be attached again after the fuses are replaced.



5 Commissioning

Turn trimmers " n_{\min} ", " n_{\max} ", " V_p ", " $I \cdot R$ " fully counterclockwise.

Trimmers " $U_{\text{Leit grob}}$ " and " $U_{\text{Leit fein}}$ " are factory-set for the set-value potentiometer connection as a standard.

Only if a master voltage is used: " $U_{\text{Leit grob}}$ " must be turned fully counterclockwise and " $U_{\text{Leit fein}}$ " to a middle position for the subsequent base setting.

Trimmer " I_{\max} " is factory-set to rated controller current.

5.1 Setting the current limit

The current limit only needs to be set if the rated motor current is lower than the rated controller current.

Connect a moving coil meter in the armature circuit to measure the current. Block the armature or disconnect the field.

Caution:

Observe the current capacity of the motor at standstill!

Turn trimmer " n_{\min} " fully clockwise and connect the mains.

Turn trimmer " I_{\max} " to adjust the armature current.

Then turn trimmer " n_{\min} " fully counterclockwise.

5.2 Armature voltage control with " $I \times R$ compensation"

Caution!

In this operating mode all control terminals carry mains potential. It is therefore necessary that all input and output signals required for the control of the controller are safely separated electrically by measures outside the controller and have another protection against direct contact (double basic insulation).

When using the supplied set-value potentiometer, the mechanical screw fixing must have an additional PE connection and the connections must be insulated and covered.

- Connect motor terminal A to controller terminal 1 and motor terminal B to controller terminal 2 (see connecting diagram).
- Set set-value potentiometer or master voltage to zero.
Connect mains.
LED "RSP" is illuminated.
LED " $\pm V_{CC}$ " is illuminated.
- Set set-value potentiometer or master voltage to maximum.
In case of master voltage operation, turn trimmer " $U_{\text{Leit grob}}$ " clockwise until '+10 V=' are applied at measuring point "M1" (measured across terminal 3, terminal 7, or terminal 33 = GND; see chapter 2.2 "Controller dimensions").
- Close switch "RFR".
LED "RSP" is not illuminated.
- Turn trimmer " n_{\max} " clockwise until the desired maximum speed is obtained.
- Set set-value potentiometer or master voltage to zero.



- Turning trimmer "n_{min}" clockwise increase the minimum speed. Check the adjustment of the maximum speed, since trimmers "n_{max}" and "n_{min}" influence each other. The fine setting of the maximum speed is done using trimmer "U_{Leit fein}".
- Turn trimmer "V_p" clockwise, until the drive becomes unstable (speed oscillations), then turn trimmer "V_p" approx. 20 % counterclockwise until the drive is stable again.
- Set the speed stabilization at trimmer "I · R" such that the smallest speed change results with the smallest operating speed between idle running and rated load. Then check the compensation for higher speeds.

5.3 Speed control with tacho feedback

Caution!

In this operating mode, the control electronics has a simple basic insulation. Take measures outside the controller to ensure that the input and output signals of the control have a double basic insulation.

- Set set-value potentiometer or master voltage to zero. Connect mains. LED "RSP" is illuminated. LED "±V_{CC}" is illuminated.
- Set set-value potentiometer or master voltage to maximum.
- In case of master voltage operation, turn trimmer "U_{Leit grob}" clockwise until '+10 V=' are applied at measuring point "M1" (measured across terminal 3, terminal 7, or terminal 33 = GND; see chapter 2.2 "Controller dimensions").
- Close switch "RFR". LED "RSP" is not illuminated.

Caution!

In case of uncontrolled acceleration of the motor during speed setting, immediately open switch "RFR". In this case, the tachogenerator feedback is either missing or has incorrect polarity.

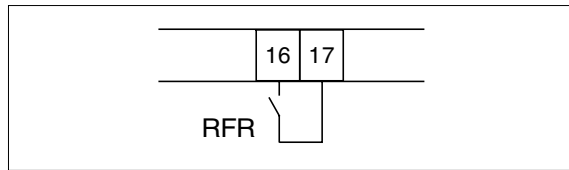
After checking and correcting the wiring, commissioning can be started again.

- Turn trimmer "n_{max}" clockwise until the desired maximum speed is obtained.
- Set set-value potentiometer of master voltage to zero.
- Turning trimmer "n_{min}" clockwise increases the minimum speed. Check the adjustment of the maximum speed since trimmers "n_{max}" and "n_{min}" influence each other. The fine setting of the maximum speed is done using trimmer "U_{Leit fein}".
- Turn trimmer "V_p" clockwise, until the drive becomes unstable (speed oscillations), then turn trimmer "V_p" approx. 5 % counterclockwise until the drive is stable.

6 Switching operation

6.1 Controller enable

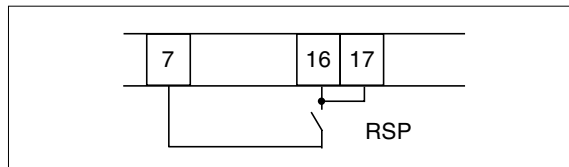
If switch "RFR" is closed, the controller is enabled.
If the switch "controller enable" (RFR) is open the firing pulses are inhibited.



Only use low-current contacts for the switching of signal cables
(15V / 1.5mA)

6.2 Controller inhibit

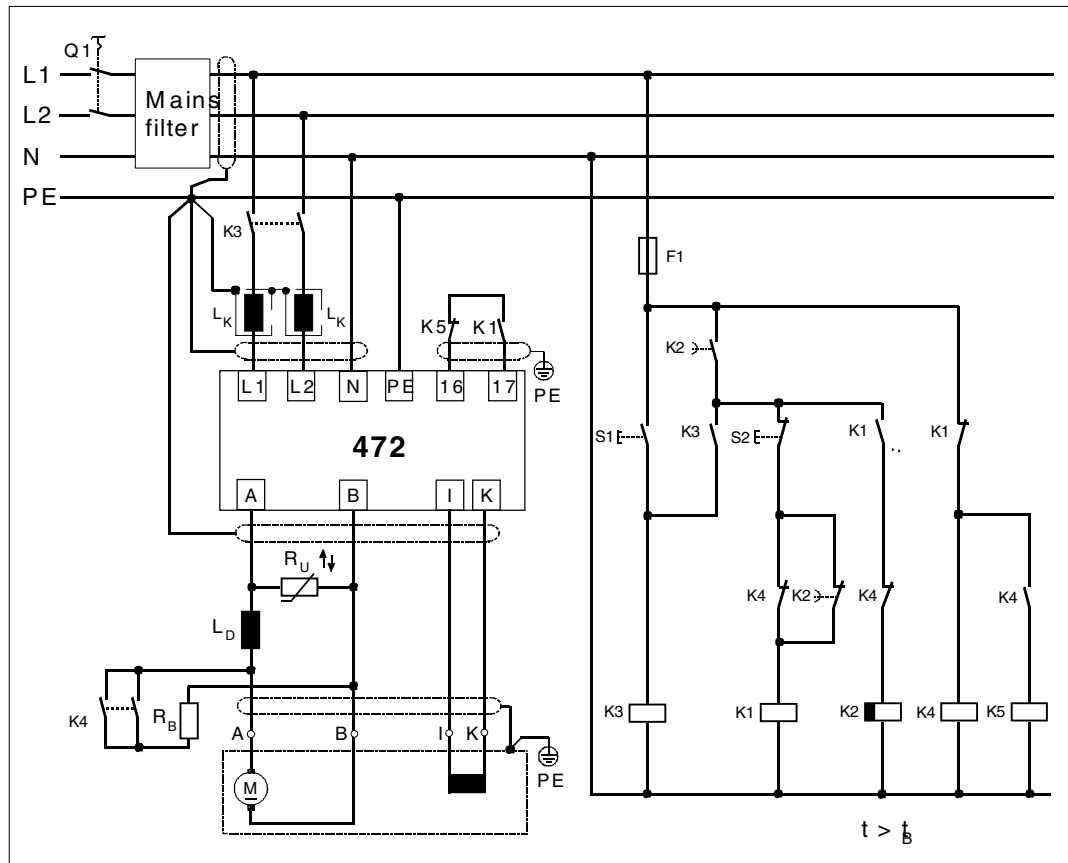
The function "RSP", i.e. the inhibiting of the controller with a normally-open contact is possible using the following connection.
When "RSP" (controller inhibit) is closed, the firing pulses are inhibited.



Only use low-current contacts for the switching of signal cables
(15V / 1.5mA)

6.3 Electrodynamic braking

Circuit diagram for electrodynamic braking using controller 472:



Explanations

K1, K2, K5	Relay
S1	On
S2	Stop

If the field is excited, the induced armature current is used for braking the motor. Before connecting the brake resistor, the controller is inhibited. The timer relay must be set such that the braking contactor only opens after the motor has stopped (deceleration time of K2 > braking time t_B).

To limit voltage peaks a zinc oxide varistor (R_U) must be connected in parallel at the controller output (see chapter 3 "Accessories").

Dimensioning of the brake resistor R_B

Neglecting the armature feedback for a required initial braking torque M_{Ba} , the initial braking current I_{ABa} results in:

$$I_{ABa} = I_{AN} \cdot \frac{M_{Ba}}{M_N}$$

I_{AN} = Rated armature current
 M_N = Rated torque,
 M_{Ba} = Initial braking torque

The braking resistor R_B is calculated as follows:

$$R_B = \frac{U_{Aa} \cdot \eta_A^2}{I_{ABa}}$$

U_{Aa} = Armature voltage in the motor mode
 I_{ABa} = Initial braking current
 η_A = Armature efficiency

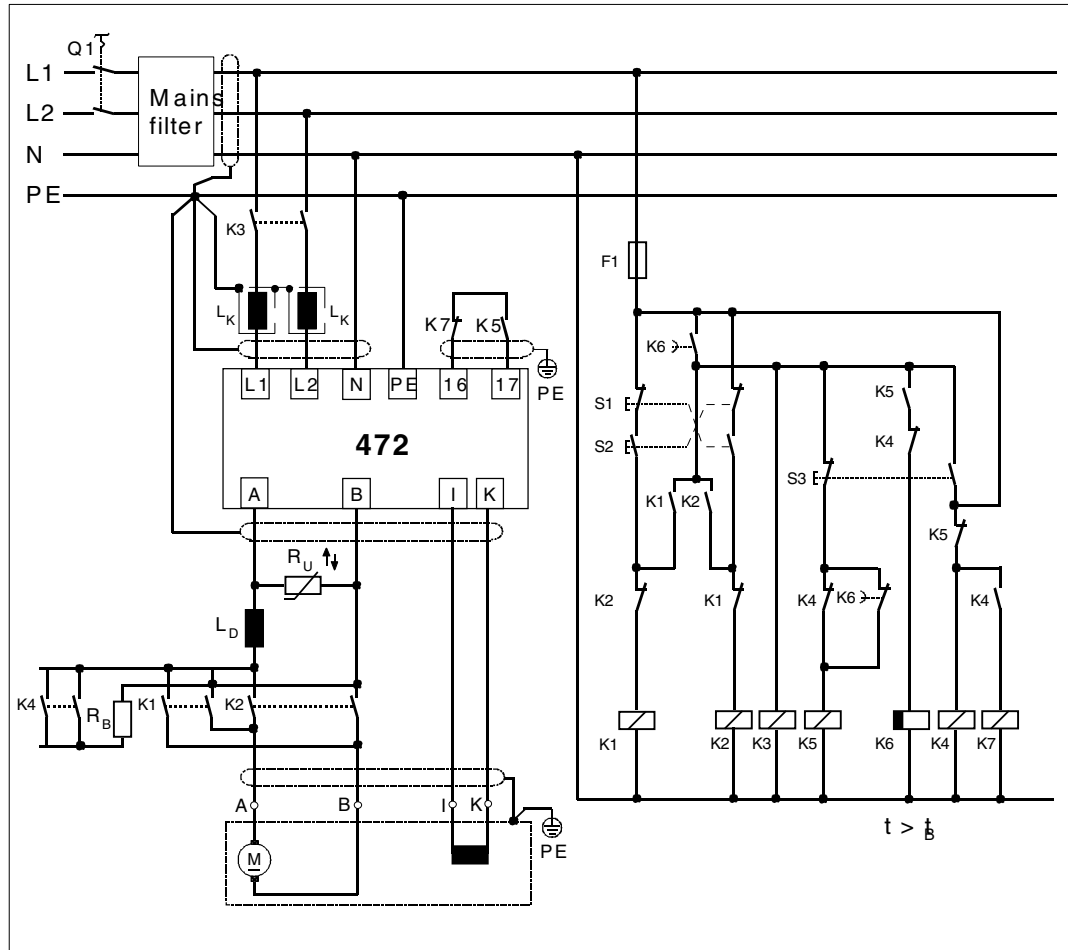
$$\eta_A = \frac{2 \pi \cdot M \cdot n}{U_A \cdot I_A}$$

U_A = Armature voltage
 I_A = Armature current
 M = Torque
 n = Speed

The size of the brake resistor depends on the braking energy of the drive and the number of brakings. The braking current should not be more than twice the rated armature current and should not exceed the maximum starting current.

6.4. Reversing

Circuit diagram for reversing using controller 472:



Explanations

K5, K6, K7	Relay
S1	CW rotation On
S2	CCW rotation On
S3	Stop

Reversing is obtained by changing the armature polarity. The motor is electrodynamically braked to standstill (see chapter 5.3 "Electrodynamic braking").

The braking time must be set at the timer relay such that the motor is safely at standstill before the armature is reversed.

To limit the switching voltage peaks, a zinc oxide varistor (R_U) must be connected in parallel to the controller output (see chapter 3 "Accessories").

Index

A

- Accessories 9
- Application
 - as directed 8

C

- Commissioning 23
 - Armature voltage control with "I · R compensation" 23
 - Setting the current limit 23
- Controller dimensions 7
- Controller features 5
- Controller-specific data 6

D

- Dimensions**
 - Mains choke** 10
 - RFI filter** 11

I

- Installation 12
 - CE-typical drive system 15
 - Connecting diagram 18
 - Connection 12
 - Installation 12
 - Installation corresponding to EMC 14

O

- Operating modes
 - Controller enable 25
 - Controller inhibit 25

R

- Replacing the fuses 22

S

- Scope of supply 7
- Speed control with tacho feedback 24

